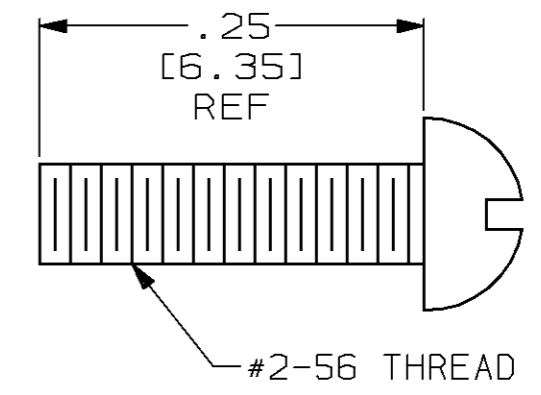
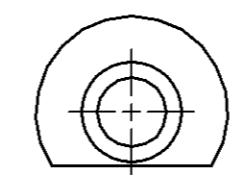
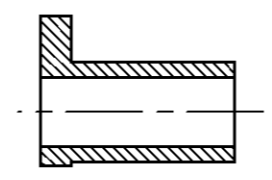
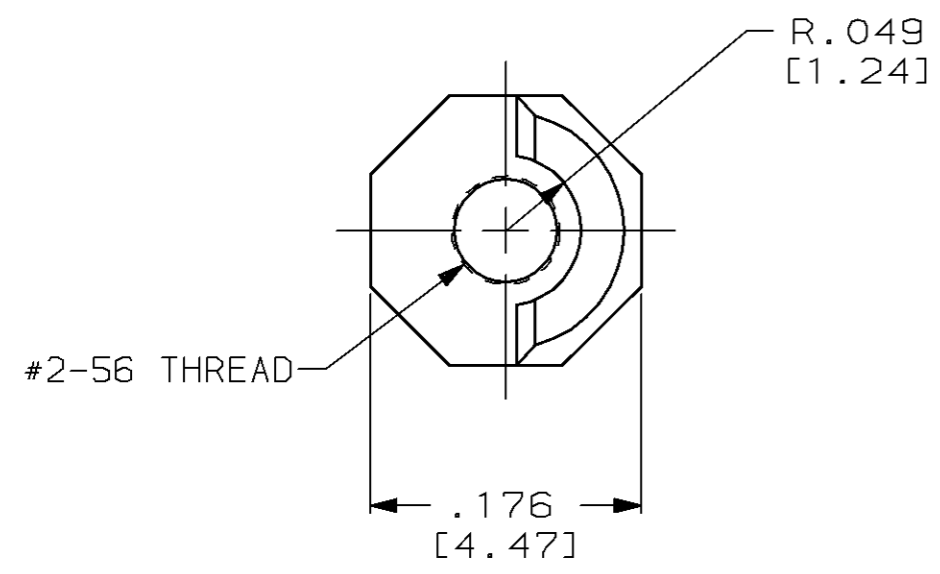


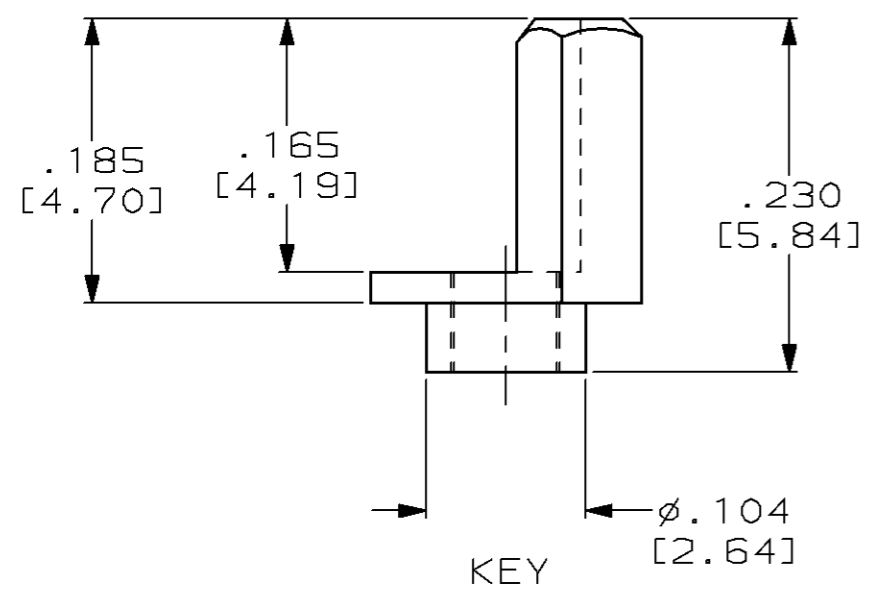
THIS DRAWING IS UNPUBLISHED. RELEASED FOR PUBLICATION ,19 .
 © COPYRIGHT 19 BY AMP INCORPORATED. ALL RIGHTS RESERVED.

LOC	DIST	REVISIONS			
P	LTR	DESCRIPTION	DATE	DWN	APVD
DF	F0				
	C	REV PER 0600-2818-94	01-10-95	TT	DG
	D	REV PER 0600-4263-95	2-96	CT	DG



RIVET

SCREW



- KEY PRESS FITS INTO MINI-BOX PIN HEADER AND/OR RECEPTACLES USING TOOL #91117-2.
- SCREWS ARE TO MOUNT KEYED RECEPTACLES TO P.C. BOARD.
- RIVET IS CRIMPED INTO KEY WITH AMP TOOL #91117-6, RIVET TOOL MUST NOT BE USED IN PLACE OF PRESS FIT TOOL.
- SEE "IS 7894" FOR KEY INSERTION.
- REFER TO DRAWING 534164 FOR DETAIL DIMENSIONS.

	-	2	530721-1	2	534164-2	-	-	KIT	530721-4
	-	2	530721-1	-	-	2	7-21082-1	KIT	530721-3
NOT RELEASED	-	-	-	-	-	-	-	-	530721-2
AS SHOWN	M55302/31-06	1	530721-1	-	-	-	-	KEY	530721-1
REMARKS	MILITARY PART NO.	QTY	KEY	QTY	RIVET	QTY	#2-56 SCREW .25 LONG [6.35]	DESCRIPTION	PART NUMBER

THIS DRAWING IS A CONTROLLED DOCUMENT FOR AMP INCORPORATED. IT IS SUBJECT TO CHANGE AND THE CONTROLLING ENGINEERING ORGANIZATION SHOULD BE CONTACTED FOR THE LATEST REVISION.

DOWNSIDE		DWN	T. THOMPSON	01-10-95	AMP Incorporated Harrisburg, PA 17105-3608		
CHECKED		CHK	D. GUTTER	01-23-95			
APPROVED		APVD	D. GUTTER	01-23-95			
PRODUCT SPEC		PRODUCT SPEC	-	-			
APPLICATION SPEC		APPLICATION SPEC	-	-	NAME	EXTERNAL KEY, MINI-BOX, STANDARD	
MATERIAL		MATERIAL	STAINLESS STEEL	FINISH	PASSIVATED	WEIGHT	-
DIMENSIONS:		TOLERANCES UNLESS OTHERWISE SPECIFIED:		SIZE: A3 CAGE CODE: 00779 DRAWING NO: C-530721			
INCHES [mm]		0 PLC ±- 1 PLC ±- 2 PLC ±- 3 PLC ±.005 [0.13] 4 PLC ±- ANGLES ±-		SCALE: 8:1			
				SHEET: 1 OF 1			
MATERIAL		FINISH		CUSTOMER DRAWING			
STAINLESS STEEL		PASSIVATED		REV: D			